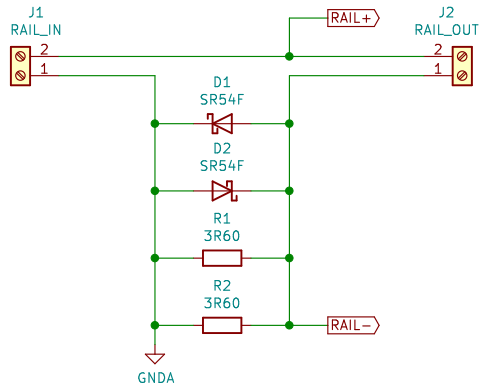
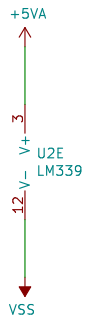
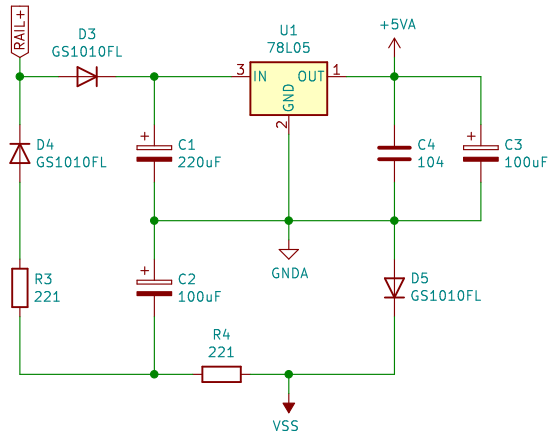


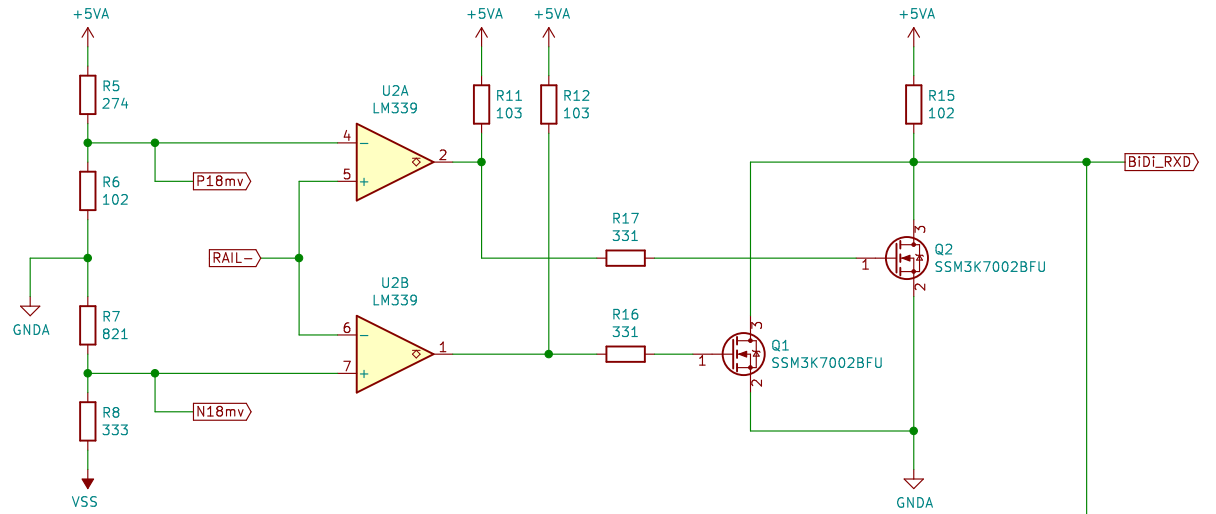
### DCC Rail Connection



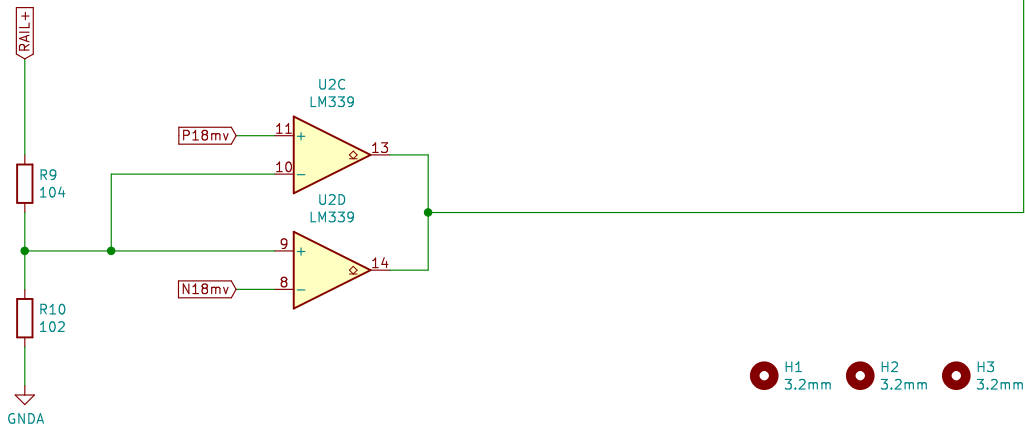
### Power Circuit



### Railcom Comm Receiver



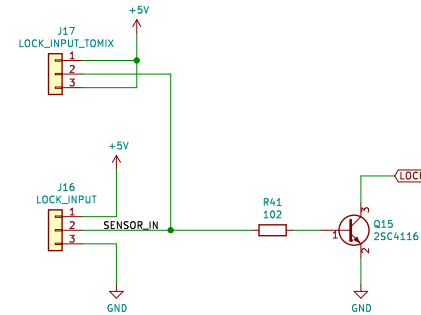
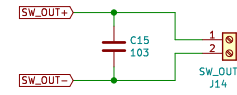
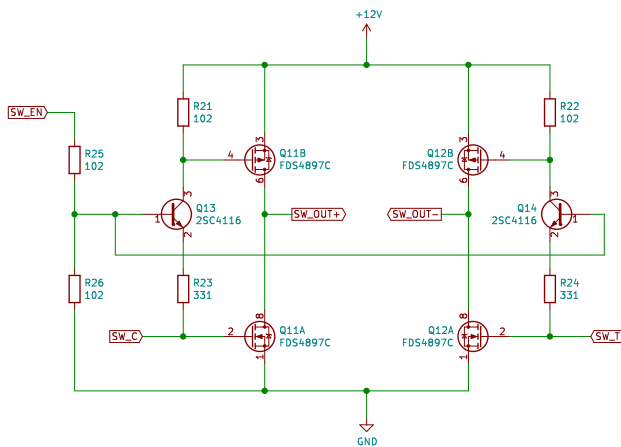
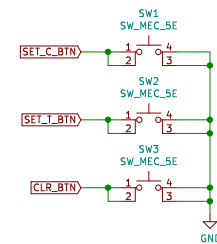
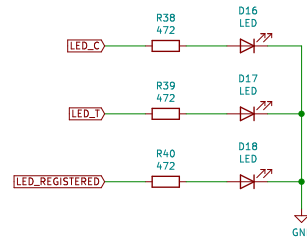
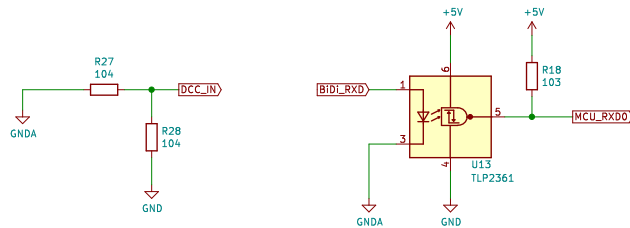
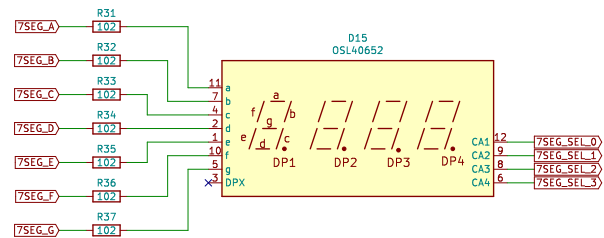
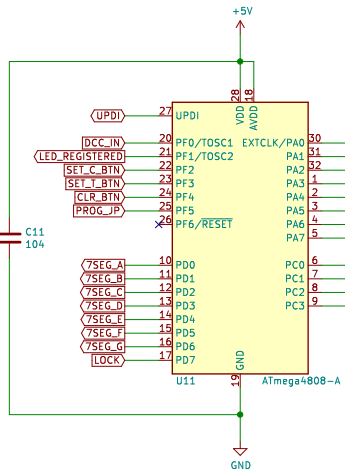
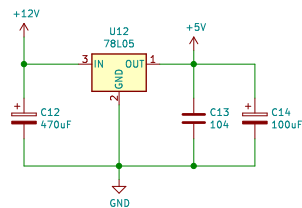
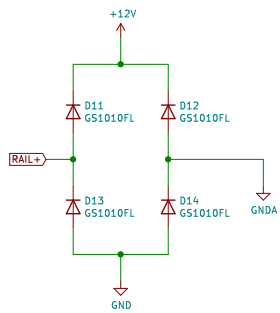
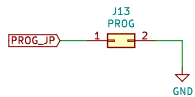
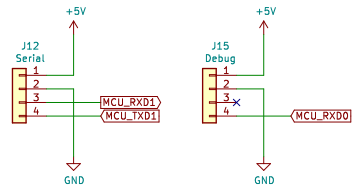
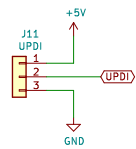
### Railcom Cutout Detector



- H1 3.2mm
- H2 3.2mm
- H3 3.2mm
- H4 3.2mm

Sheet: rsc\_mcu  
 File: rsc\_mcu.sch

Sheet: /	
File: RailcomSwitchChanger.sch	
<b>Title:</b>	
Size: A4	Date:
KiCad E.D.A. kicad (5.1.12)-1	Rev: Id: 1/2



Sheet: /rsc\_mcu/  
 File: rsc\_mcu.sch  
**Title:**  
 Size: A3      Date:  
 KiCad E.D.A. kicad (5.1.12)-1      Rev: 2/2